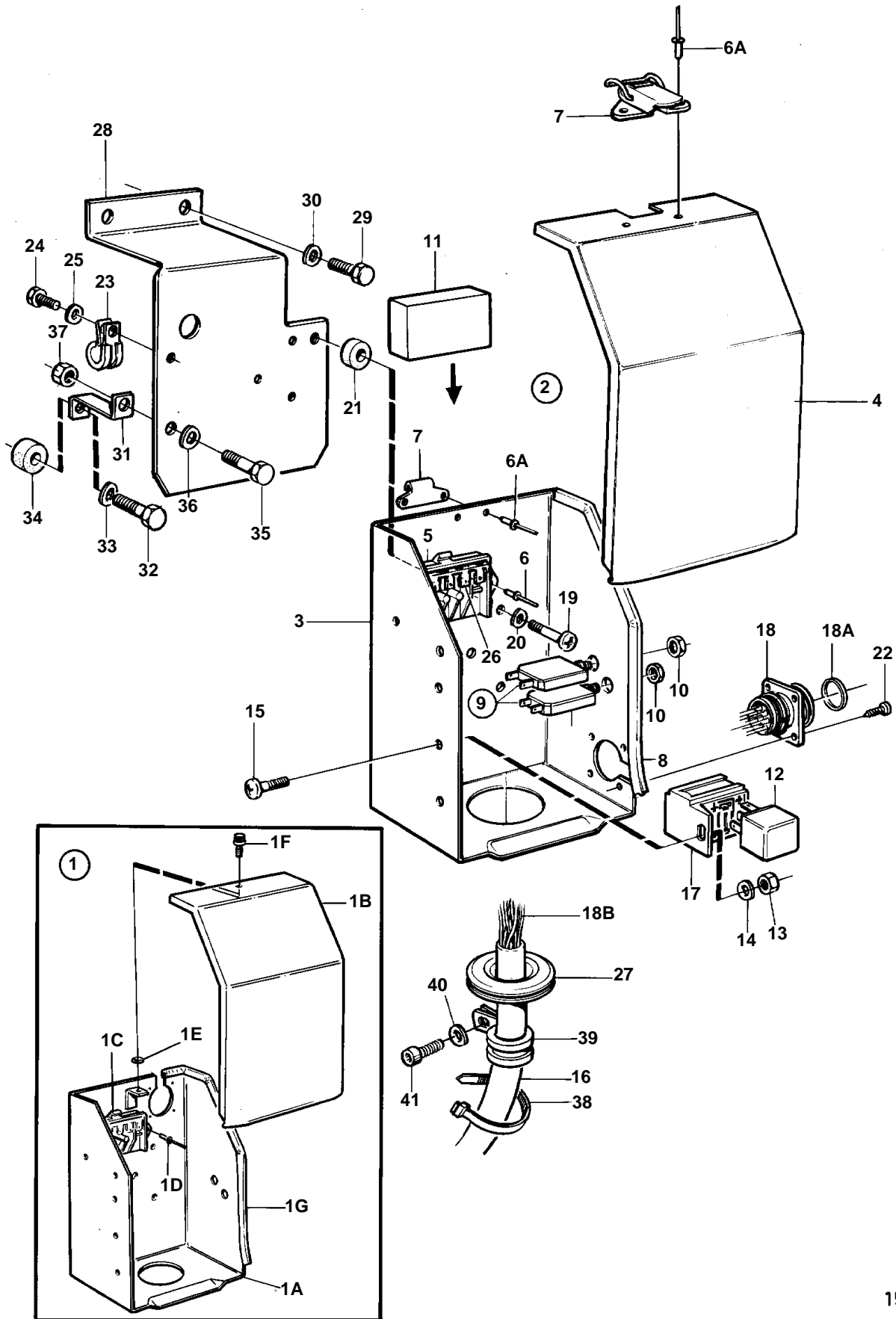


TMD121C, TAMD121C, TAMD121D, TAMD122C, TAMD122D



15360

TMD121C, TAMD121C, TAMD121D, TAMD122C, TAMD122D

REF	PART NO.	QTY	DESCRIPTION	SEE SEC.	NOTES
1	846660	1	Electrical distribut		REPLACED BY 3825254
1A	846791	1	• Box		REPLACED BY 3825254
1B		1	• Cover		
1C	1234048	1	• Lower section		
1D	942670	2	• Rivet		
1E	925051	1	• O-ring		
1F	846736	1	• Lock screw		
1G	1214306	1	• Protecting moulding		
2	3825254	1	Electrical distribut		LATE TYPE
3		1	• Box		
4	3825253	1	• Cover		
5	1234048	1	• Lower section		
6	942670	2	• Rivet		
6A	965592	4	• Rivet		
7	3825257	1	• Tension lock		
8	1214306	1	• Protecting moulding		
9	966689	2	Fuse		
10		2	• Nut		
11	1234264	1	Upper section		(1234264)
12	8153600	2	Relay		
13	955780	5	Nut		
14	941905	5	Spring washer		
15	956075	5	Screw		
16	862859	1	Cable trunk		
17	977184	2	• Tab housing		
18	846611	1	• Sleeve connector		
18A	846615	1	• Sealing ring		
18B		X	• Electrical materials	125	
		X	• Cables and terminals	124	
19	956095	3	Screw		
20	941906	3	Spring washer		
21	843075	3	Sleeve		
22	955119	4	Screw		
23	949747	1	Clamp		
24	955294	1	Screw		
25	941907	1	Spring washer		
26	1234263	1	Pin		
27	943920	1	Protecting plug		
28	846819	1	Bracket		
29	940114	2	Screw		
30	942336	2	Spring washer		
31	846911	1	Bracket		
32	955524	1	Screw		
33	941907	1	Spring washer		
34	955826	1	Nut		
35	948210	X	Strip clamp		
36	946834	1	Clamp		Mounted on the heat exchanger.
37	941907	1	Spring washer		
38	956567	1	Screw		
39	949746	1	Clamp		
40	946670	1	Flange screw		
41	941907	1	Spring washer		